

SHARP

Be Original.

MX-C300P

Digital Full Colour Printer



**Space-Saving Desktop Colour Printer
Delivers High-Quality Output and
Reliable Performance**



Efficient Colour and B/W Output

The MX-C300P delivers a fast output of 30 ppm* in full colour and in B/W. A warm-up time of just 29 seconds brings added efficiency.

* A4 (8 1/2" x 11"), short-edge feeding



Superb Image Quality

Sharp's latest third-generation Mycrotoner-HG (High Grade) and a dual-component developer system combine to provide breathtaking image quality. The toner's smaller particle size reduces graininess and enables clear reproduction of fine lines, fine text, and halftone colours.

Built-In Automatic Duplex Printing

The MX-C300P can make two-sided printouts using its built-in stackless duplex module, effectively reducing paper costs as well as saving filing space.



Direct USB Printing

There's a USB port beneath the control panel, which comes in handy when printing data directly from USB memory devices.



Sharpdesk Mobile*

Sharpdesk Mobile is a mobile print application that connects the MX-C300P to popular mobile devices via wireless LAN for hassle-free printing.

* Availability varies by country/region. For details, see the Sharpdesk Mobile support website: http://sharp-world.com/products/copier/docu_solutions/mobile/sharpdesk_mobile/

Other Key Features

- Standard-equipped wireless LAN connection
- Works with the latest and most commonly used operating systems and network protocols, even in mixed OS environments
- Supports, as standard, PCL 6 and PostScript® 3™ emulation
- Standard 300-sheet paper capacity, expandable to 800 sheets
- Accommodates heavy paper up to 220 g/m²
- True 600 x 600 dpi print resolution
- User authentication covering up to 30 users
- Certified for the ENERGY STAR® programme

User-Friendly Design

Easy-to-use 5-line LCD control panel



Compact toner cartridges



SPECIFICATIONS (tentative)

General

Type	Desktop
Engine speed	A4 (8 1/2" x 11")*1: Max. 30 ppm
Control panel display	5-line LCD
Paper size	Max. A4 (8 1/2" x 14"), min. A6 (5 1/2" x 8 1/2")
Paper capacity (80 g/m²)	Standard: 300 sheets (250-sheet tray and 50-sheet multi-bypass tray) Maximum: 800 sheets (300 sheets & 500-sheet tray)
Paper weight	Tray: 60 g/m ² to 105 g/m ² (16 lbs bond to 28 lbs bond) Multi-bypass tray: 55 g/m ² to 220 g/m ² (13 lbs bond to 80 lbs cover)
Warm-up time**	29 sec.
Memory	512MB
Power requirements	Rated local AC voltage ±10%, 50/60 Hz
Power consumption	Max. 1.15 kW (220V to 240V), max. 1.1 kW (100V to 127V)
Dimensions (W x D x H)	429 x 509 x 337 mm (16 5/8" x 20 3/8" x 13 9/32")
Weight (approx.)	25 kg (55.1 lbs)

Network Printer

Resolution	600 x 600 dpi
Interface	USB 2.0, 10Base-T/100Base-TX
Supported OS	Windows Server® 2008, Windows Server® 2008 R2, Windows Server® 2012, Windows Server® 2012 R2, Windows Server® 2016, Windows Vista®, Windows® 7, Windows® 8.1, Windows® 10, Mac OS X 10.6, 10.7, 10.8, 10.9, 10.10, 10.11, macOS Sierra
Network protocols	TCP/IP (IPv4, IPv6)
Printing protocols**	LPR, Raw TCP (port 9100), IPP, FTP for downloading print files
PDL	Standard: PCL 6 emulation, PostScript 3 emulation
Available fonts	80 fonts for PCL, 136 fonts for PostScript 3 emulation

*1: Short-edge feeding.

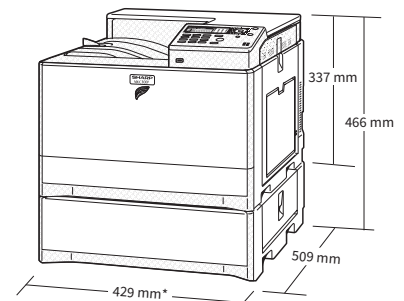
*2: At rated voltage, 23°C (73.4°F). May vary depending on operating conditions and environment.

*3: IPv6 is supported only by LPR printing protocol.

• Design and specifications are subject to change without prior notice.

- PCL is a registered trademark of Hewlett-Packard Company. PostScript 3 is either a registered trademark or trademark of Adobe Systems Incorporated in the US and/or other countries. Windows, Windows Server, and Windows Vista are registered trademarks of Microsoft Corporation in the US and/or other countries. Mac, OS X, and macOS are trademarks of Apple Inc., registered in the US and other countries. All other brand names and product names may be trademarks or registered trademarks of their respective owners.
- The ENERGY STAR logo is a certification mark and may only be used to certify products that have been determined to meet the ENERGY STAR programme requirements. ENERGY STAR and the ENERGY STAR mark are registered trademarks owned by the US Environmental Protection Agency. The ENERGY STAR guidelines apply to products only in the US, the EU, Japan, Canada, Australia, New Zealand, and Taiwan.

SYSTEM CONFIGURATION



*633 mm when multi-bypass tray and output tray are extended.

MX-C300P shown with option.